

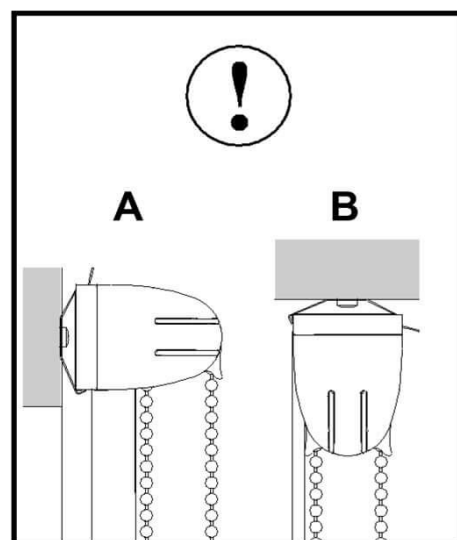
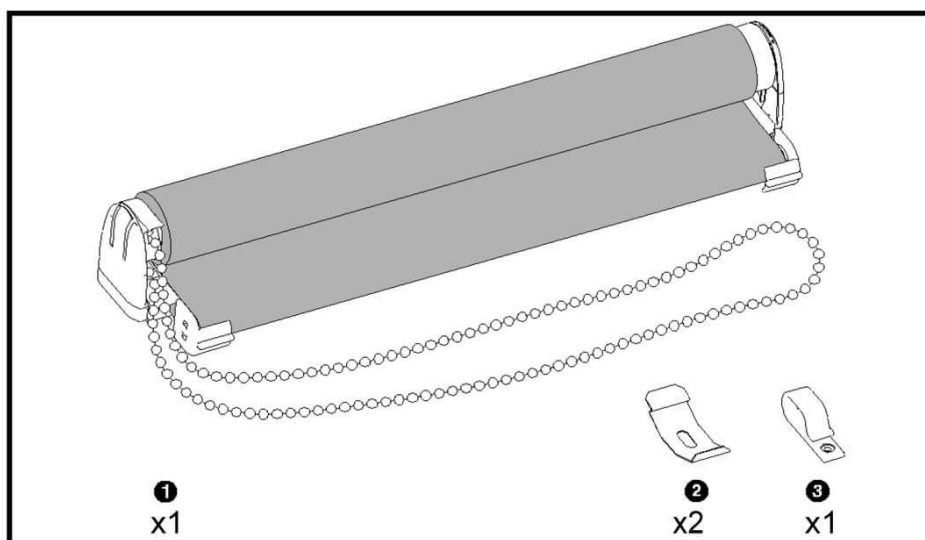


3D Wave Zebra Roller Blind Installation Instructions

IMPORTANT: Do not roll up the blind completely, as doing so could detach the blind fabric from the holding tube. The roller shutter handles must be mounted so that the roller blind hangs evenly and horizontally.

Incorrect installation could cause the fabric to wind unevenly, and could eventually damage the blind. The position of the handles can be corrected vertically and horizontally (see the holes in the handles for reference.)

PARTS INCLUDED:



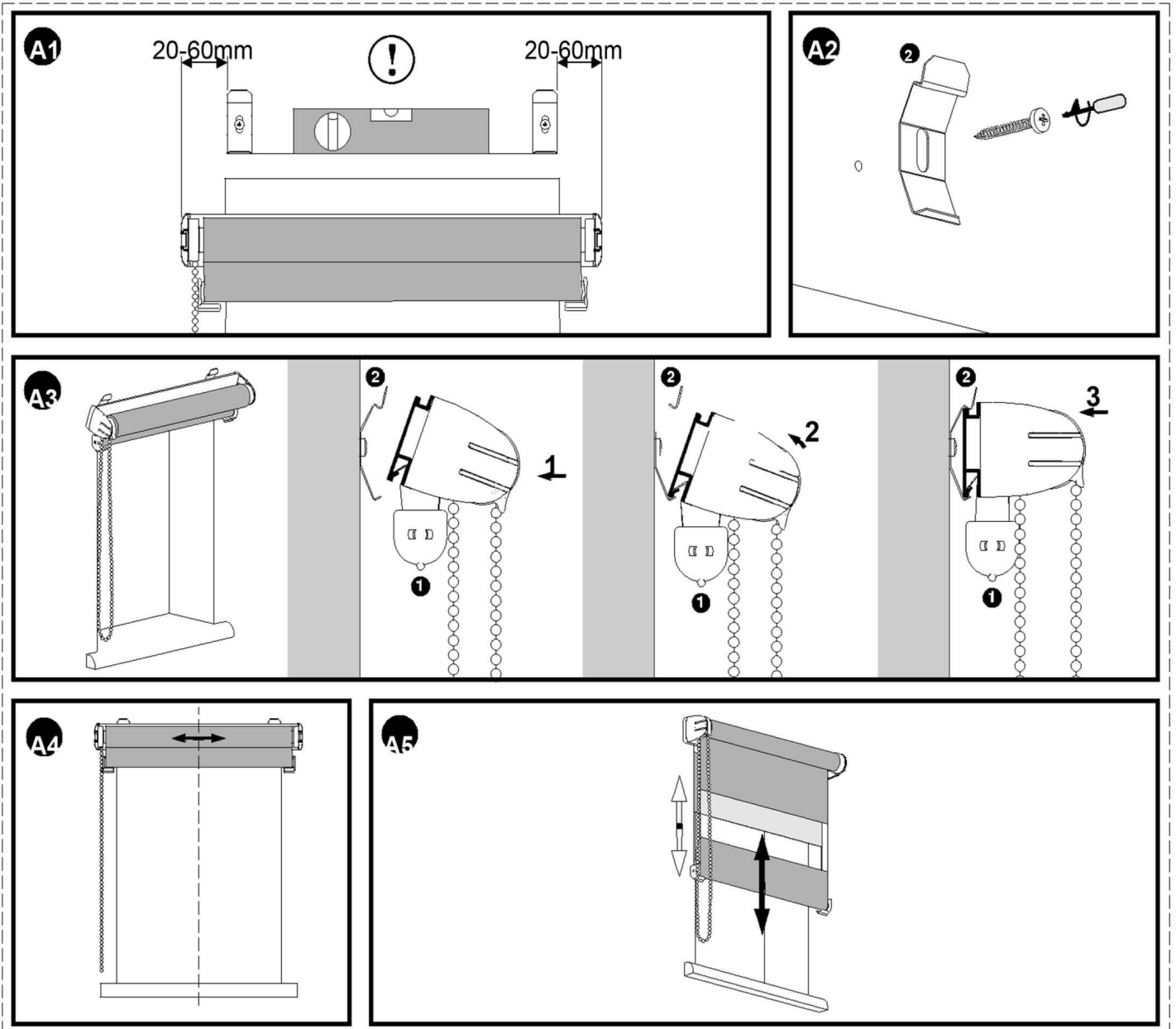
The 3D Wave Zebra Roller Blind can be installed either as a wall fix (Installation Option A) or as a ceiling fix (Installation Option B).

WARNING

Young children can be strangled by loops in pull cords, chains, tapes and inner cords that operate the product. To avoid strangulation and entanglement, keep cords out of the reach of young children. Cords may become wrapped around a child's neck. Move beds, cots and furniture away from window covering cords. Do not tie cords together. Make sure cords do not twist and create a loop.



INSTALLATION OPTION A: WALL FIX / FACE FIX



INSTALLATION OPTION B: CEILING FIX / TOP FIX

